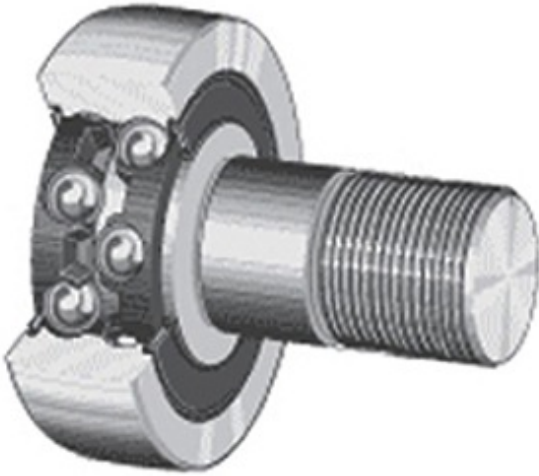




# SNR Bearing Argentina

## OSBORN LOAD RUNNERS PLRN-1-1/4 Cam Follower and Track Roller - Stud Type



PLRN-1-1/4 Bearing 2D drawings and 3D CAD models

Bearing No. PLRN-1-1/4

Category	Cam Follower and Track Roller - Stud Type
Inventory	3.0
Manufacturer Name	OSBORN
Minimum Buy Quantity	N/A
Weight	0.11
EAN	0622424977500
Product Group	B04120
Roller Surface Profile	Flat
Profile	Stud Type
Thread Size	1/2-20
Stud Profile	Standard Stud
Enclosure	Sealed
Rolling Element	Ball Bearing - Double Row
Relubricatable	No
Hex Socket	Yes
Inch - Metric	Inch
Other Features	Nylon Tread   Seals Out Contamination
Long Description	1-1/4" Roller Diameter; 27/32" Roller Width; Flat Roller Surface; Stud Type; 1/2" Stud Diameter; 1/2-20 Thread; Standard Stud; Sealed; Ball Bearing - Double Row; Not Relubricatable; Hex
Category	Cam Followers Stud Type



## SNR Bearing Argentina

UNSPSC	31171530
Harmonized Tariff Code	8482.10.50.68
Noun	Bearing
Keyword String	Cam Follower
Manufacturer URL	<a href="http://www.osborn.com">http://www.osborn.com</a>
Manufacturer Item Number	PLRN-1-1/4
Manufacturer Internal Number	97750
Weight / LBS	0.25
Roller Diameter	1.25 Inch   31.75 Millimeter
Stud Diameter	0.5 Inch   12.7 Millimeter
Roller Width	0.844 Inch   21.438 Millimeter